

EPSON®

EXCEED YOUR VISION



www.env.epson-europe.com/tonercollection

Epson Toner Cartridge Collection Programme

To unsubscribe to the programme, at any time, email eccp-support@kuehne-nagel.com

For further information please contact your local Epson office or visit www.epson-europe.com

Austria 0810/20 01 13 (0,07 €/Min.) **Belgium** 070/350120 (0,1735 €/Min.) **Czech** 800 / 142 052
Denmark 44 50 85 85 **Finland** 0201 552 091 **France** 0892 899 999 (0,34€/min) **Germany** 01805/23 41 10 (0,12 €/Min.)
Greece 210-8099499 **Hungary** 06800 147 83 **Italy** 02-660321 10 (0,12 €/Min.) **Luxemburg** 900/43010 (0,24 €/mn.)
Middle East +9714 8818934 **Netherlands** 0900-5050808 (0,05 €/oproep + 0,15 €/Min.) **Norway** 22 06 42 80
Poland 0-0-800 4911299 (0,16 zł/min.) **Portugal** 707 222 111 **Russia** (095) 777-03-55 **Slovakia** 0850 111 429
South Africa (+2711) 465-9621 **Spain** 93 582 15 00 **Sweden** 0771-400135 (Mobilsamtal - 0,99 kr/min,
Lokala samtal - 0,30 kr/min, Utlandssamtal - 0,89 kr/min) **Switzerland** 0848 448820 (4-8 cent./mn.)
Turkey (0212) 3360303 **United Kingdom** +44 (0) 1442 261144

Entity carrying out management and coordination pursuant to article 2497 bis of Civil Code: Epson Europe BV

EPSON® is a registered trademark of SEIKO EPSON® Corporation. All other product names and other company names used herein are for identification purposes only and may be trademarks or registered trademarks of their respective owners. Errors and omissions excepted, all specifications are subject to change without notice.

EPSON®

Easy disposal of empty cartridges



The Epson Toner Cartridge Collection Programme gives you a quick and easy way to dispose of your empty toner cartridges. Epson does it all for you. It's simple.

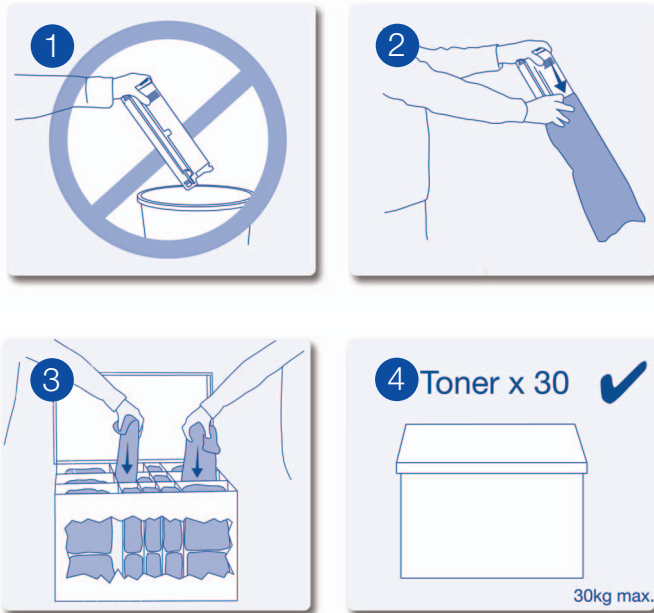
Membership and use of the service is completely free. All you need to do to get started is register online. Everything is easily managed through our website, with flexible delivery and collection dates to suit you.

How it works

The Epson Toner Cartridge Collection Programme makes disposal of your empty cartridges as easy as throwing them in the bin.

- Use the dedicated website to **Request new boxes**. You can order as many as you need for your office and they will be delivered directly to you
- Throw your empty toner cartridges into the collection box instead of the bin. Place the used cartridges in the bag from the new toner first. You can stack two cartridges in each slot of the box
- Use the website to let us know when a box is full (capacity approximately 30 toners) and the date when we can collect it. We can **Pick-Up** the full box, and you can request new boxes at any time. Or we can **Swap** your full box for a new one when it is collected

Epson will treat the empty toner cartridges in a safe environment.

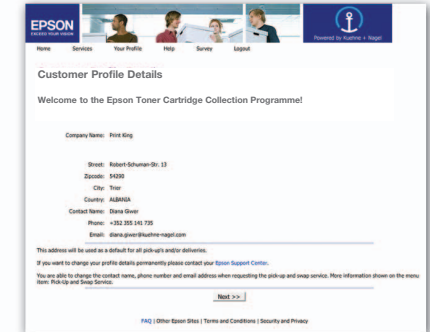
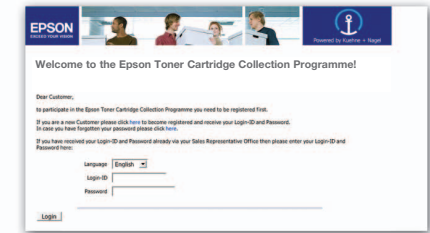


Joining the Epson Toner Cartridge Collection Programme couldn't be easier. Simply register online and you can start collecting the empty cartridges in your office.

How to register online

- Go to www.env.epson-europe.com/tonercollection Select the language you wish to use and follow the links for New Customers
- Enter your details in the short form and click **Confirm**
- Once we have processed your application you will receive your User Name and Password via email
- Go back to www.env.epson-europe.com/tonercollection Log in using your new User Name and Password

Now you can arrange delivery of new boxes as well as pick-ups and swaps. You can also change your password and update your contact information if you need to.



Epson has an ongoing commitment to producing more environmentally friendly products. Eco-consciousness plays a vital role in all of our corporate activities, from product planning and design through to the end of a product's life.

We are proud that we meet all of our legal obligations and that we have been awarded the right to use many independent ecology labels around the world.